

HM11



- Alloy steel, nickel-plated, single point bending beam, hermetically welded, tension or compression.
- Ingress protection (according to EN 60529): IP68
- Suitable for belt scales, hopper scales and other electronic weighing devices.



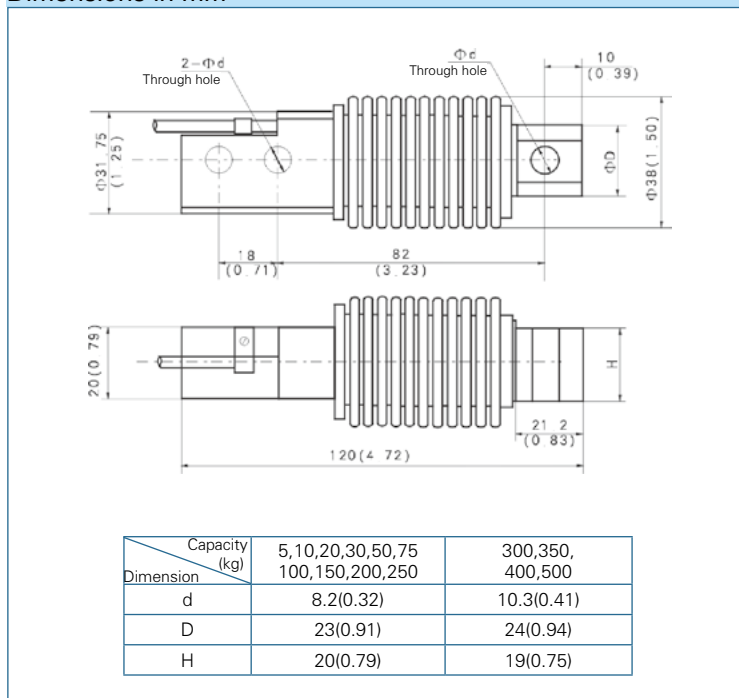
Available models

Capacity	Accuracy	Full article description
xxkg	C3	HM11-C3-xxkg-3B
xxkg	C3	HM11-C3-xxkg-6B6

Specification

Maximum capacity (E _{max})	kg	5/10/20/30/50/75/100/150/200/250/300/350/400/500
Accuracy class		C3
Maximum number of load cell intervals (nLC)		3000
Ratio of minimum LC verification interval $Y = E_{max} / v_{min}$		10000
Combined error	%FS	± 0.020
Creep	%FS/30min	± 0.016
Temperature effect on sensitivity	%FS/10°C	± 0.011
Temperature effect on zero	%FS/10°C	± 0.015
Output sensitivity (= FS)	mV/V	2.0 ± 0.02
Input resistance	Ω	460 ± 50
Output resistance	Ω	350 ± 3.5
Insulation resistance	MΩ	≥ 5000(50VDC)
Zero balance	%FS	± 1.0
Compensated temperature	°C	-10~+40
Operating temperature	°C	-35~+65
Excitation, recommended voltage	V	5~12(DC)
Excitation maximum	V	18(DC)
Safe overload	%FS	150
Ultimate overload	%FS	300
ATEX Class(Optional)		II1G Ex ia IIC T4 II1D Ex iaD20 T73°C II3G Ex nL II C T4

Dimensions in mm



Wiring

