



Short Description



- Stainless steel IP68/IP69k single point load cell
- Suitable for platform, belt scales and other Weighing devices
- Rec. max. platform size 800 × 800mm (for 100 – 500 kg)
- Rec. max. platform size 400 × 400mm (for 10 – 100kgSE)
- 10kg only available with PTB certificate D09-10.06 Revision 1 of C R60/2000 DE1-10.02
- 10kg, 20 kg, 50 kg also available with C4MR approval with PTB certificate D09-10.06 revision 1, C of C R60/2000 DE1-10.02 (Y=40000 Z=6000)



Test certificate no. TC8011 Revision 0
C of C no R60/2000-NL1-11.29



Certificate no. 12-017

Available Models

Capacity	Accuracy	Full Article Description
10kg	C3/C4/C4MR	BM6G-C3/C4/C4MR-10kgSE-3B6
20kg	C3/C4/C5/C4MR	BM6G-C3/C4/C5/C4MR-20kgSE-3B6
50kg	C3/C4/C5/C4MR	BM6G-C3/C4/C5/C4MR-50kgSE-3B6
75kg	C3/C4/C5	BM6G-C3/C4/C5-75kgSE-3B6
100kg	C3/C4/C5	BM6G-C3/C4/C5-100kgSE-3B6
100kg	C3/C4/C5	BM6G-C3/C4/C5-100kg-3B
150kg	C3/C4/C5	BM6G-C3/C4/C5-150kg-3B
200kg	C3/C4/C5	BM6G-C3/C4/C5-200kg-3B
300kg	C3/C4/C5	BM6G-C3/C4/C5-300kg-3B
400kg	C3/C4/C5	BM6G-C3/C4/C5-400kg-3B
500kg	C3/C4/C5	BM6G-C3/C4/C5-500kg-3B

Specifications and dimensions are subject to change without notice and do not constitute any liability whatsoever.

Technical Specifications BM6G

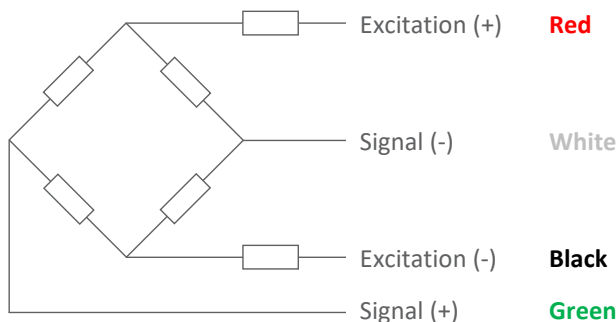
Accuracy Class		OIML R60 C3	OIML R60 C4	OIML R60 C5
Output Sensitivity (= FS)	mV/V	2.0 ± 0.2		
Maximum Capacity (E _{max})	kg	10, 20, 50, 75, 100, 150, 200, 300, 400, 500	20, 50, 75, 100, 150, 200, 250, 300, 400, 500	
Max. Number of Load Cell Intervals	n _{LC}	3000	4000	5000
Ratio of min. LC Verification Interval	$Y = E_{max} / V_{min}$	10000	15000	20000
Combined Error	%FS	≤± 0.023	≤± 0.0175	≤± 0.014
Creep Error (30 minutes)	%FS	≤± 0.0245	≤± 0.0184	≤± 0.0147
Temperature Effect on Zero (ZTC)	%FS/10°C	≤± 0.0140	≤± 0.0093	≤± 0.0088
Temperature Effect on Sensitivity (STC)	%FS/10°C	≤± 0.0117	≤± 0.0088	≤± 0.0070
Zero Balance	%FS	≤± 2.0		
Safe Overload	%FS	150		
Ultimate Overload	%FS	300		
Maximum Deflection	mm	0.130 ~ 0.198		
Excitation, Recommended Voltage	V	5 ~ 12		
Excitation, Maximum Voltage	V	18		
Input Resistance	Ω	10-75kg: 380 ± 15	100-500kg: 350 ± 3.5	
Output Resistance	Ω	350 ± 10		
Insulation Resistance (50V)	MΩ	≥5000		
Compensated Temperature	°C	-10 ~ + 40		
Operating Temperature	°C	-35 ~ + 65		
Storage Temperature	°C	-40 ~ + 70		
Load Cell Weight	kg	10kg - 100kgSE: ~1.25	100kg – 500kg: 3.35	
Element Material		Stainless Steel		
Ingress Protection (acc. to EN 60529)		IP68/IP69k		
Recommended Torque on Fixation Bolts	Nm	M6: 10		M8:25
ATEX Classification (optional)		II 1G Ex ia IIC T4 Ga	II 1D Ex ia IIIC T ₂₀₀ 135°C Da	II 3G Ex ic IIC T4 Gc

Wiring

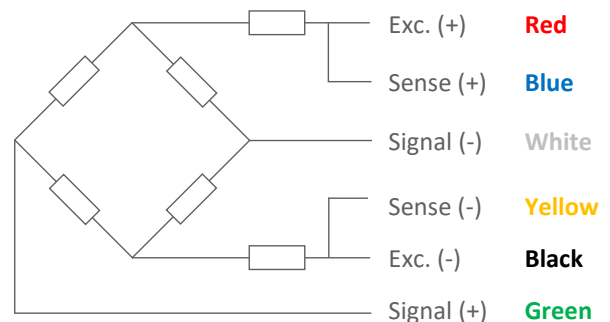
Features:

Cable type: Shielded, 6 cond. cable (10-100(SE)kg) AWG 24 or 4 cond. cable (100-500kg), conductor AWG 22
 Cable diameter: Ø 5mm
 Cable length: 3m
 Cable jacket: Polyurethane
 Shield not connected to element

4-Wire Connection Diagram



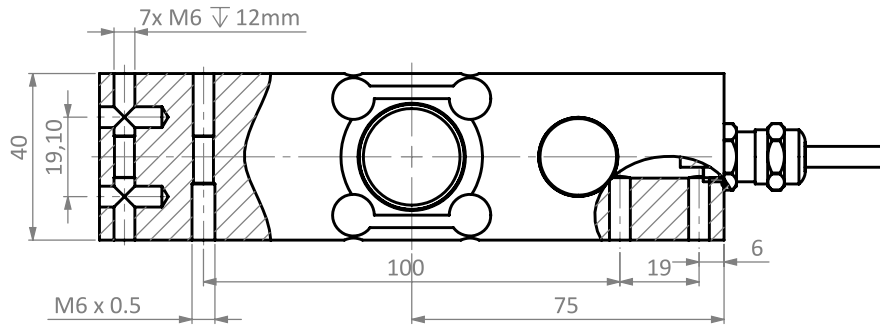
6-Wire Connection Diagram



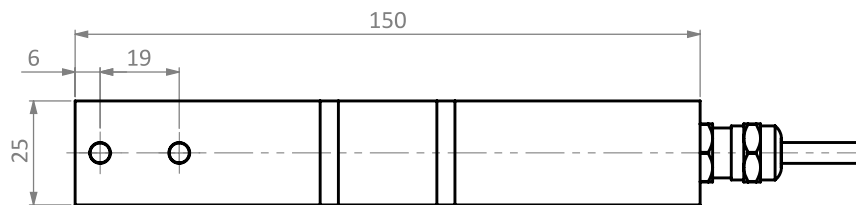
Specifications and dimensions are subject to change without notice and do not constitute any liability whatsoever.

Dimensions in mm

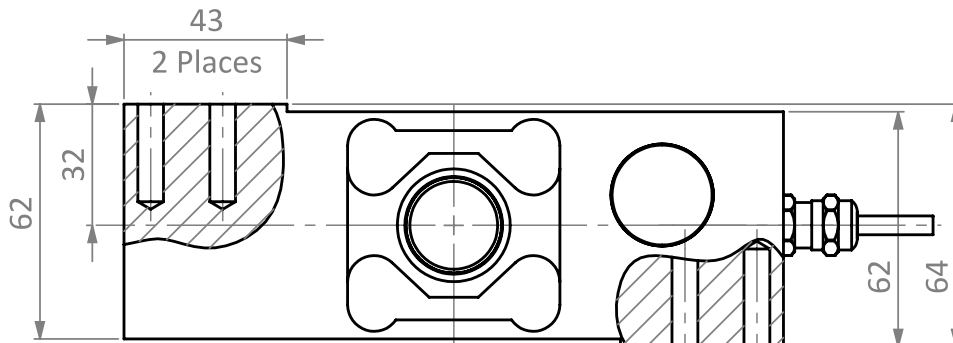
10 - 100kgSE Side View



10 - 100kgSE Top View



100 - 500kg Side View



100 - 500kg Top View

