

Short Description



- Aluminium-alloy IP65 single point load cell
- Colourless anodized
- Suitable for pricing scales, bench scales, etc.
- Recommended Maximum platform size: 400 × 400 mm



Test certificate no. TC7838 Revision 1
C of C no R60/2000-NL1-15.08



Certificate no. 11-062

Available Models

Capacity	Accuracy	Full Article Description
30kg	C3 (excluded from OIML)	L6E-C3-30kg-2B
50kg	C3/C4/C5	L6E-C3/C4/C5-50kg-2B
60kg	C3/C4/C5	L6E-C3/C4/C5-60kg-2B
80kg	C3/C4/C5	L6E-C3/C4/C5-80kg-2B
100kg	C3/C4/C5	L6E-C3/C4/C5-100kg-2B
150kg	C3/C4/C5	L6E-C3/C4/C5-150kg-2B
200kg	C3/C4/C5	L6E-C3/C4/C5-200kg-2B
300kg	C3/C4/C5	L6E-C3/C4/C5-300kg-2B
500kg	C3/C4/C5	L6E-C3/C4/C5-500kg-2B

Technical Specifications L6E

Accuracy Class		C3	OIML R60 C3	OIML R60 C4	OIML R60 C5
Output Sensitivity (= FS)	mV/V	2.0 ± 0.2			
Maximum Capacity (E _{max})	kg	30	50, 60, 80, 100, 150, 200, 300, 500		
Max. Number of Load Cell Intervals	n _{LC}	3000		4000	5000
Ratio of min. LC Verification Interval	$Y = E_{max} / V_{min}$	10000		15000	20000
Combined Error	%FS	≤± 0.0230		≤± 0.0175	≤± 0.014
Creep Error (30 minutes)	%FS	≤± 0.0167		≤± 0.0125	≤± 0.010
Temperature Effect on Zero (ZTC)	%FS/10°C	≤± 0.0200		≤± 0.0120	≤± 0.009
Temperature Effect on Sensitivity (STC)	%FS/10°C	≤± 0.0175		≤± 0.0131	≤± 0.010
Zero Balance	%FS	≤± 2.0			
Safe Overload	%FS	150			
Ultimate Overload	%FS	200			
Maximum Deflection	mm	30kg – 150kg: 0.6 ~ 0.96		200kg – 500kg: 0.9 ~ 1.3	
Eccentric Loading Error	%LD/100mm	≤ 0.02			
Excitation, Recommended Voltage	V	5 ~ 12			
Excitation, Maximum Voltage	V	18			
Input Resistance	Ω	406 ± 6			
Output Resistance	Ω	350 ± 3			
Insulation Resistance (50V)	MΩ	≥5000			
Compensated Temperature	°C	-10 ~ + 40			
Operating Temperature	°C	-35 ~ +65			
Storage Temperature	°C	-40 ~ +70			
Load Cell Weight	kg	~0.45			
Element Material		Aluminium			
Ingress Protection (acc. to EN 60529)		IP65			
Recommended Torque on Fixation Bolts	Nm	M6: 20			

Wiring

Features:

Cable type: Shielded, 4 conductor cable , conductor AWG 24

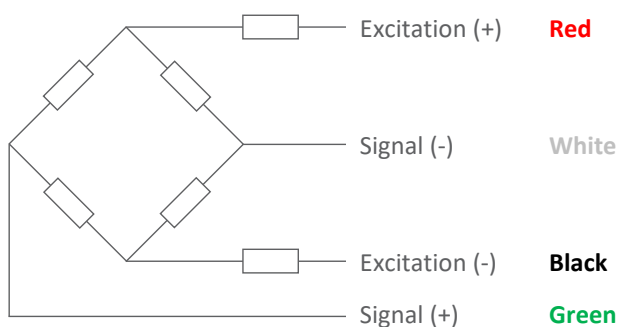
Cable diameter: Ø 5.3mm

Cable length: 2.0m

Cable jacket: PVC

Shield not connected to element

4-Wire Connection Diagram

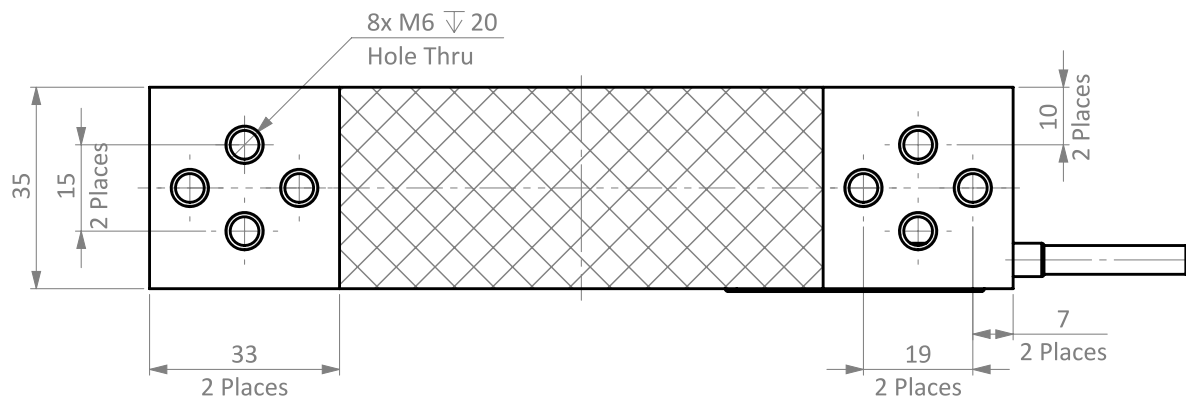


Specifications and dimensions are subject to change without notice and do not constitute any liability whatsoever.

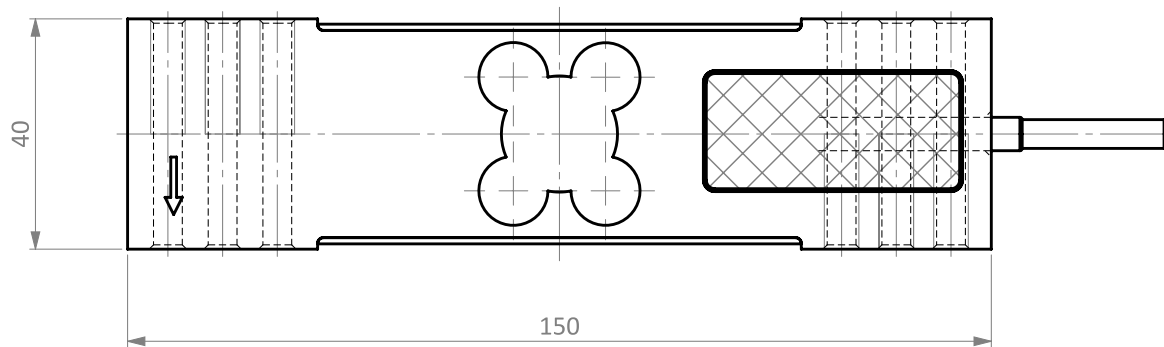
Type L6E Load Cell

Dimensions in mm

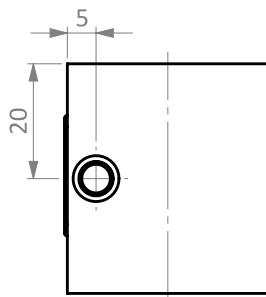
Top View



Front View



Side View



Isometric View

