



Short Description



- Aluminium-alloy IP65 single point load cell
- Colourless anodized
- Suitable for pricing scales, bench scales, etc.
- Maximum platform size: 200 x 200 mm

Without OIML Certification

Available Models

Capacity	Accuracy	Full Article Description
0.3kg	L/H/H1	L6B-L/H/H1-300g-0.4B
0.6kg	H/H1	L6B-H/H1-600g-0.4B
1.2kg	H/H1	L6B-H/H1-1.2kg-0.4B
1.5kg	H/H1	L6B-H/H1-1.5kg-0.4B
3.0kg	H/H1	L6B-H/H1-3.0kg-0.4B

Specifications and dimensions are subject to change without notice and do not constitute any liability whatsoever.

Technical Specifications L6B

Maximum Capacity (E _{max})	kg	0.3	0.3, 0.6, 1.2, 1.5, 3	
Output Sensitivity (= FS)	mV/V	0.9 ± 0.1		
Accuracy Class		L	H	H1
Divisions		30000	60000	100000
Combined Error	%FS	≤± 0.020	≤± 0.010	≤± 0.008
Creep Error (2 minutes)	%FS	≤± 0.010	≤± 0.005	≤± 0.003
Non-Linearity	%FS	≤± 0.015		
Hysteresis	%FS	≤± 0.015		
Repeatability	%FS	≤± 0.015		
Temperature Effect on Zero (ZTC)	%FS/10°C	≤± 0.020	≤± 0.017	≤± 0.010
Temperature Effect on Sensitivity (STC)	%FS/10°C	≤± 0.015		≤± 0.008
Zero Balance	%FS	≤± 2.0		
Safe Overload	%FS	120		
Ultimate Overload	%FS	150		
Maximum Deflection	mm	300g – 1.5kg= 0.2 ~ 0.35		3kg: 0.14 ~ 0.20
Eccentric Loading Error	%Ld/cm	± 0.002		
Excitation, Recommended Voltage	V	5 – 10		
Excitation, Maximum Voltage	V	12		
Input Resistance	Ω	406 ± 6		
Output Resistance	Ω	350 ± 3		
Insulation Resistance (50V)	MΩ	≥5000		
Compensated Temperature	°C	-10 ~ + 40		
Operating Temperature	°C	-35 ~ + 65		
Storage Temperature	°C	-40 ~ + 70		
Load Cell Weight	kg	~0.07		
Element Material		Aluminium		
Ingress Protection (acc. to EN 60529)		IP65		
Recommended Torque on Fixation Bolts	Nm	M3: 1.3		

Wiring

Features:

Cable type: Shielded, 4 conductor cable , conductor AWG 28

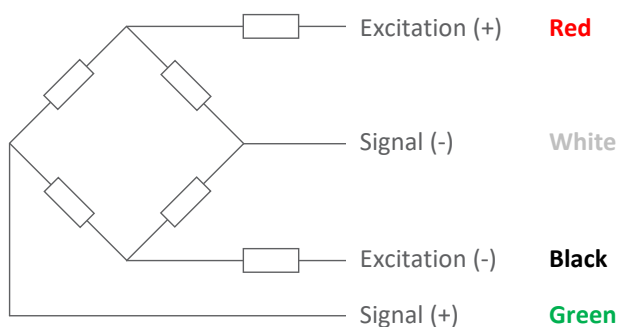
Cable diameter: Ø 2.9mm

Cable length: 0.4m

Cable jacket: PVC

Shield not connected to element

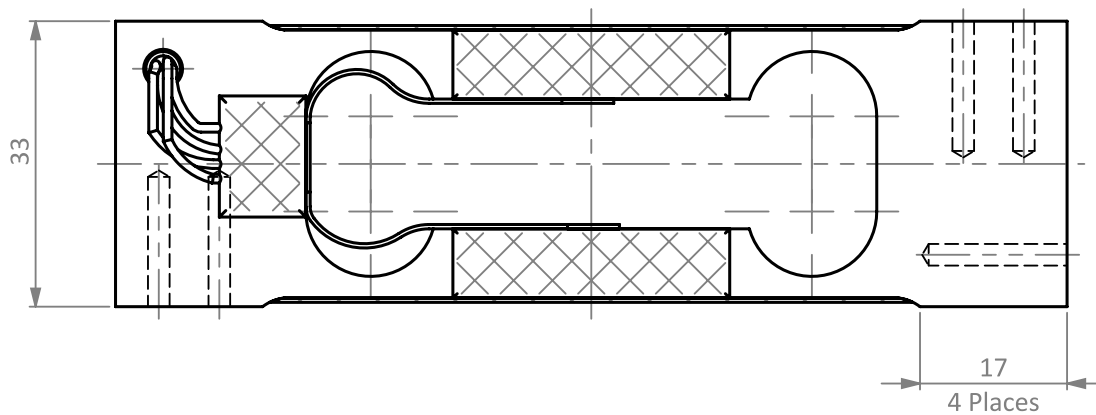
4-Wire Connection Diagram



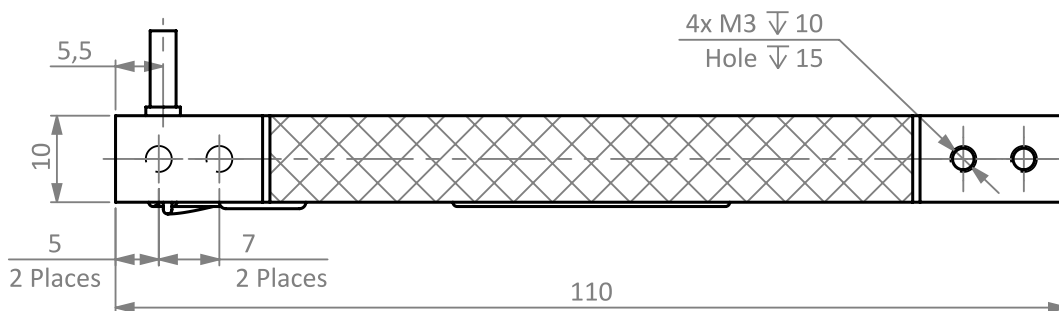
Specifications and dimensions are subject to change without notice and do not constitute any liability whatsoever.

Dimensions in mm

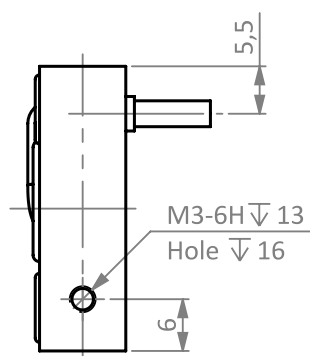
Front View



Top View



Side View



Isometric View

