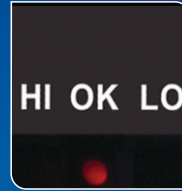




INDUSTRIAL WEIGHING SOLUTION™



Large, 51mm
LED display



Check-weighing function



Suitable for bench and
floor scales

DH SERIES

Weighing indicator

With fast speed and high precision A/D conversion technology, the DH is suitable for either a bench platform scale, floor scale or any static check-weighing system that is equipped with 1~4 load cells. With a built-in rechargeable battery, the DH can operate in environments where little or no power outlets are available.



TPS



Technical Parameter

1. Analog part	
Class of Accuracy	Class III, n=3000
Input signal range	-19mV ~ 19mV
Conversion speed	10 times/sec
Gain drift	0.03%
Excitation voltage	DC 5V
Ladcell connection	Max. 4ea 350 Ω Loadcell
2. Display part	
Display range	-99999 ~ 999999 (decimal point is not considered)
Scale division	1/2/5/10/20/50 optional
3. Serial communication interface	
Signal	RS 232 signal
Transmission distance	< 20m
4. Score board display interface	
Adopts serial output method, current loop signal, transmission distance	≤ 1000 M
5. Operation environment	
Power supply	AC222V; 50,60Hz (-2% ~ +2%)
Battery life time	Approx. 30 hours
Battery charging time	Approx. 15 hours
Operating temperature	0 ℃ ~ 40 ℃
Storage and transport temperature	-25 ℃ ~ 55 ℃
Relative humidity	≤ 85%RH
Fuse	500mA
Weight	Approx. 2 kg



Large, 51mm LED display

Bright illuminating LED display with large characters (51mm Height) offers excellent legibility in any environment.



Check-weighing function

The DH includes a check-weighing function with the ability for the user to set the desired values for the Upper & Lower limits. With 3 lamps to indicate if the item is HI (over upper weight limit), OK (acceptable weight) or LO (under lower weight limit). Additionally, the alarm will sound if either the HI or LO limits are reached.



Built-in Recharge battery

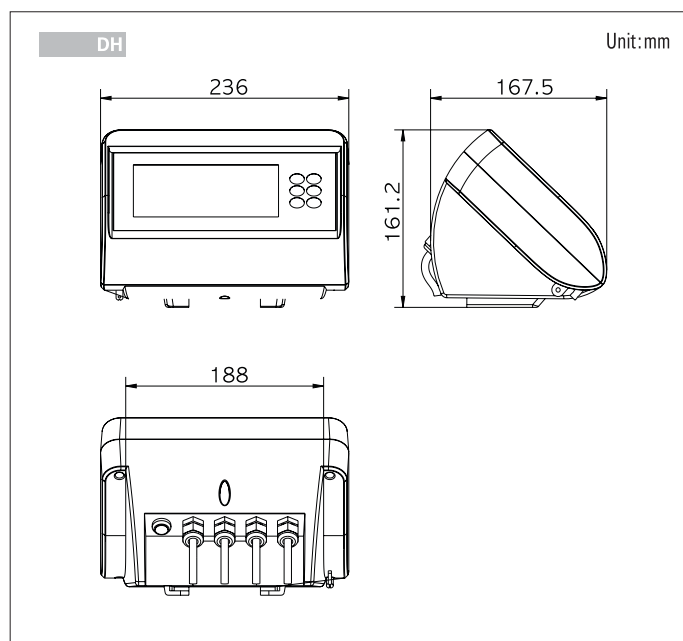
With its built-in rechargeable battery, the DH is able to operate in any environment, including environments where power outages often occur or where little or no power outlets are available.

Specifications

TECHNICAL DATA

Model	DH Series
Loadcell Excitation voltage	DC 5V
Loadcell connection(350 N)	Max. 4ea
Input signal range	-19mV ~ 19mV
External resolution	1/3,000
A/D Conversion speed	10 times/sec
Display	51mm LED display
Key	6 function keys
Power	DC5V rechargeable battery AC220V / 50, 60Hz
Operating temperature	0°C ~ 40 °C
Dimension(mm)	236(W) x 167.5(D) x 161.2 (H)
Product weight(kg)	Approx. 2
Interface(1 port)	RS-232C Current loop

DIMENSIONS



Features

- Large, 51mm LED display
- Check-weighing function with alarm for Hi & Lo
- 1/3,000 External resolution
- 10 times/sec A/D conversion speed
- Built-in rechargeable battery
- Communication interface: RS-232C & Current loop



TPS

TPS

TPS CORPORATION

WWW.CANTHINHPHAT.COM